



**SENSOR**<sup>®</sup>  
NETWORKS, INC

Inspection, Testing & Asset-Integrity Solutions



**HD-PTZx**<sup>™</sup>

High-Definition Visual Inspection. Pan. Tilt. Zoom.

**HD remote  
inspection  
tool**

## Unrivaled Inspection

Sensor Networks Inc (SNI) introduces a new High-Definition (HDTV) version of its field-hardened, rugged, waterproof and reliable Pan-Tilt-Zoom industrial video inspection camera system. Available in two interchangeable PTZ heads: A 3.5 inch dia. with 10x optical zoom and a 4.3 inch dia. with 30x optical zoom.

With cable lengths up to 500 feet, and available with a small CCU or an integral cable reel CCU, HD-PTZx also features 1080P video resolution or ~ 6 times that of conventional CCTV video. Improved image resolution also enables useful digital zooming. The system has bright, long-life LED illumination for crisp, clear, color images for man-less entry and inspection of industrial components such as:

- Aircraft engine assembly and test cells
- Large-diameter pipes, tanks & vessels
- Nuclear reactor vessel, nozzles and internals
- Nuclear fuel, spent-fuel pools, refueling operations
- Steam generator primary- and secondary-side inspections
- Plastic-, glass-, refractory-lined and stainless-clad vessels
- Catalyst vessels and tray towers



**modular system**

**integrated system**



**The system has digital HDMI output for easy use with off-the-shelf recording, display or computer devices**

**PTZx**  
STANDARD DEFINITION  
(720x480)

**HDTV 720p**  
(1280x720)

**FULL HD 1080p**  
(1920x1080)

**NEW! HD-PTZx**  
6X BETTER IMAGE

**Joystick controlled variable-speed 270- or 244-deg tilt angle & 360-deg continuous rotation body**

**corrosion-resistant nickel-plated aluminum with stainless steel**

**submersible to 100 ft (30m)**

**integral & optional auxiliary LED lamps**

**30x or 10x optical zoom**

**Full-HD (1920x1080p) camera with sensitivity control for reflective surfaces**

# HD-PTZx43 preliminary specs\*

# HD-PTZx35 preliminary specs\*

### video

optical/digital zoom	30X / 12X
effective pixels	2.13 MP
sensitivity	0.5 lux
HFOV (MOD)	W 59° (10cm) / T 2.1° (1.2M)
brightness adjustment	±7 steps

### lighting

integral LED lamps	2000 lumens
auxiliary LED lamps	1000 lumens (2)

### construction

head weight	6.4 lb (2.9 Kg)
pressure rating	44 psi / 100 ft (30 m) depth
purgeable	up to 10 psi (.7 bar)
cable length	up to 500 ft (150m)
material	nickel-plated aluminum, stainless steel
portability	single case, one-hand carry
system weight (150 ft cable)	29 lb (13.2 Kg)

### controls

pan/tilt	360° continuous / ±135°
image overlay	time, date, position
image effects	flip, freeze, long exposure
home position	joystick button

### interface output

video	2 HDMI Ports
accessory power	12 VDC

### video

optical/digital zoom	10X / 12X
effective pixels	2.13 MP
sensitivity	0.5 lux
HFOV (MOD)	W 54° (10cm) / T 4.9° (1.0m)
brightness adjustment	±7 steps

### lighting

integral LED lamps	2000 lumens
auxiliary LED lamps	1000 lumens (2)

### construction

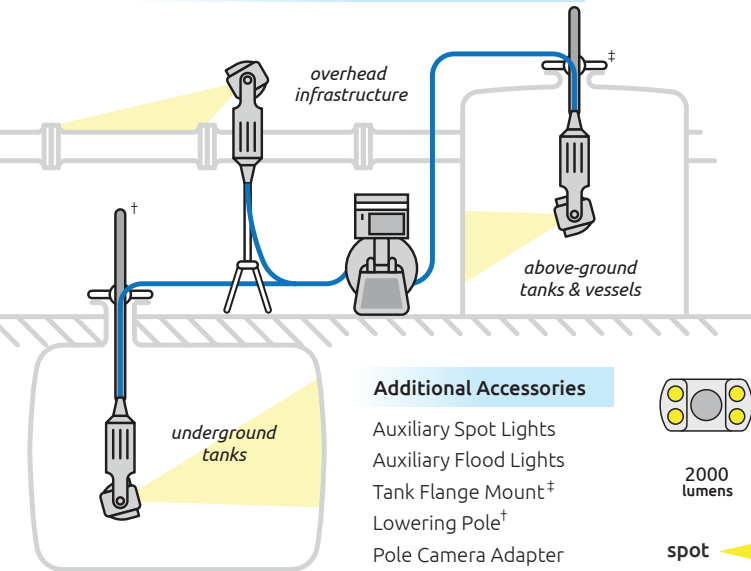
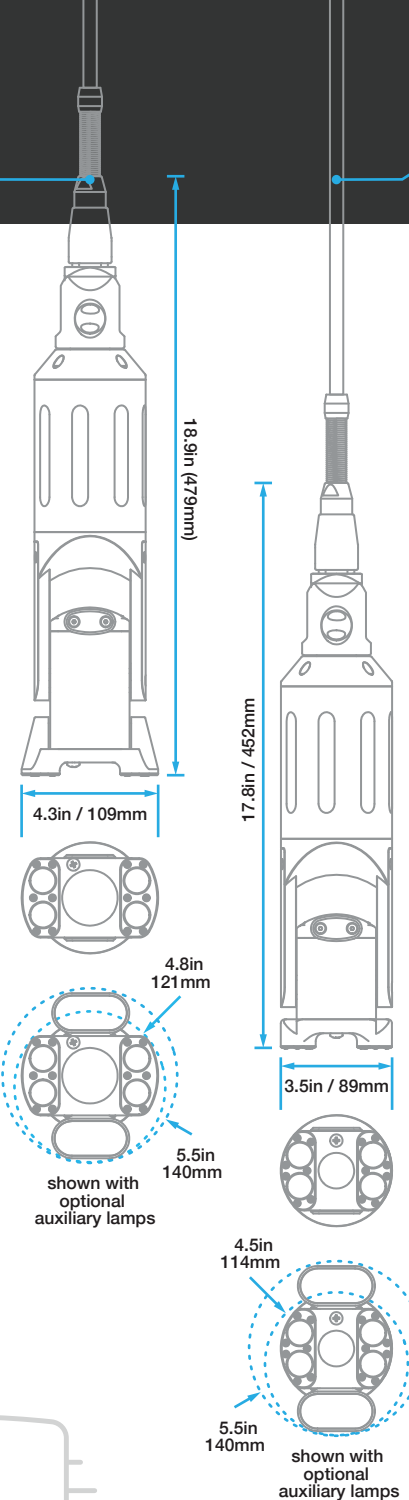
head weight	6.3 lb (2.8 Kg)
pressure rating	44 psi / 100 ft (30 m) depth
purgeable	up to 10 psi (.7 bar)
cable length	up to 500 ft (150m)
material	nickel-plated aluminum, stainless steel
portability	single case, one-hand carry
system weight (150 ft cable)	28.9 lb (13.1 Kg)

### controls

pan/tilt	360° continuous / ±122°
image overlay	time, date, position
image effects	flip, freeze, long exposure
home position	joystick button

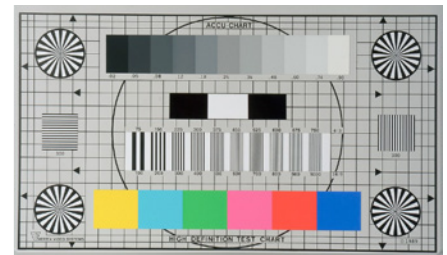
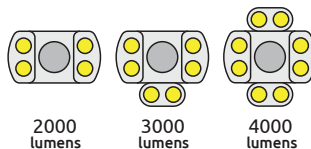
### interface output

video	2 HDMI Ports
accessory power	12 VDC



### Additional Accessories

- Auxiliary Spot Lights
- Auxiliary Flood Lights
- Tank Flange Mount†
- Lowering Pole†
- Pole Camera Adapter



*In addition to HD-PTZx having significantly better Horizontal and Vertical resolution, the true color representation is much more accurate compared to conventional NTSC video.*

\*Specs subject to change without notice. Final specs will be updated upon product release.  
© October, 2019 Sensor Networks, Inc. All rights reserved.